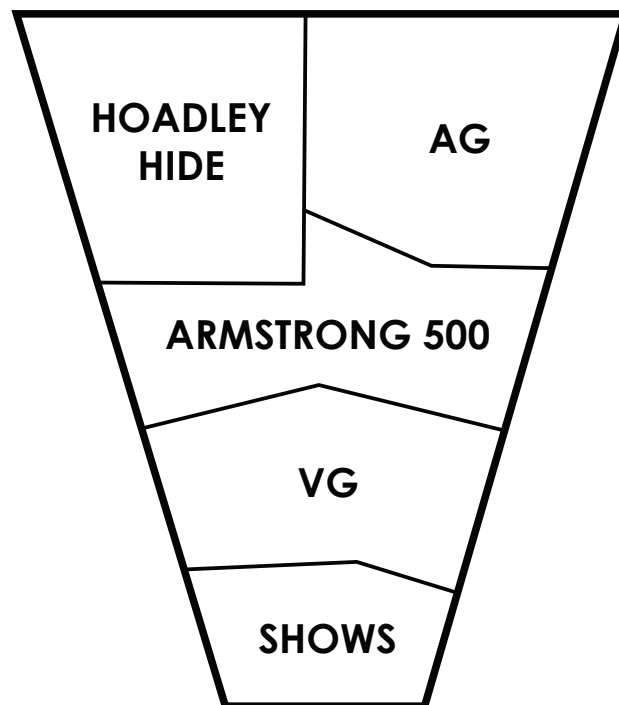


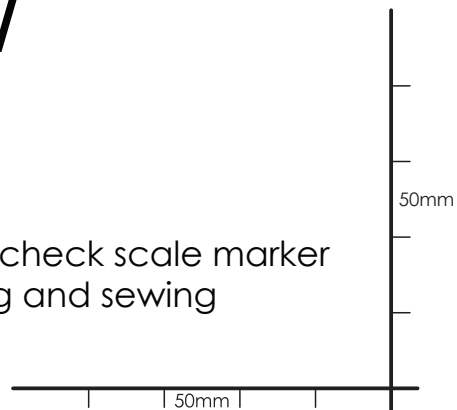


## HOW TO MAX OUT AS A VENTURER SCOUT

# BIG 5 BADGE SEWING TEMPLATE



Note: Print on A4 1:1 scale and check scale marker with ruler before marking and sewing



**Position Event Badge on right side of shirt.  
Iron on first to align the correct positions  
before sewing.  
Use a HOT iron**