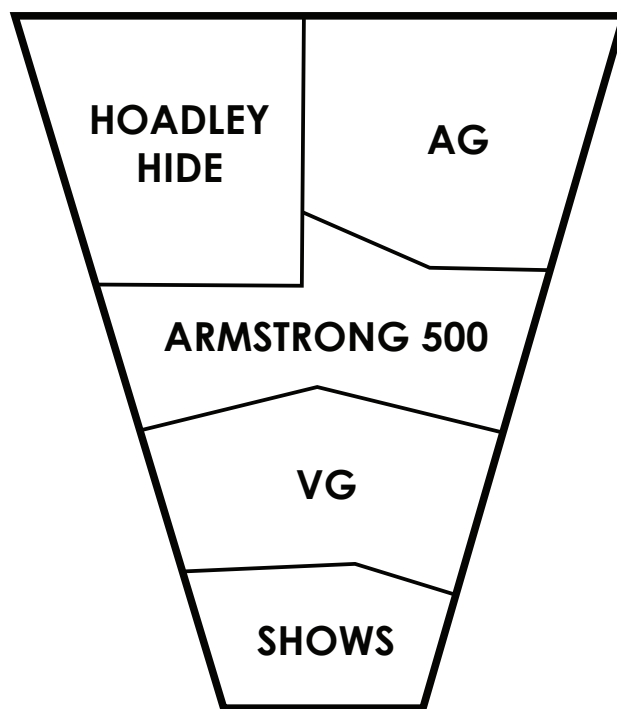
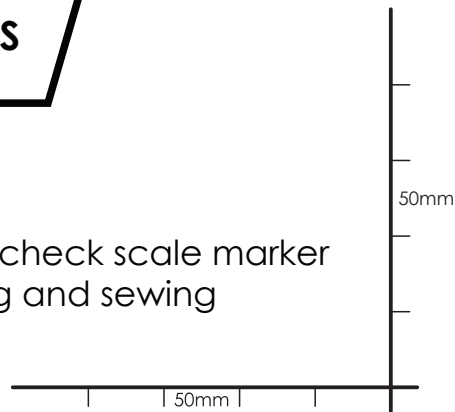


HOW TO MAX OUT AS A VENTURER SCOUT

BIG 5 BADGE SEWING TEMPLATE



Note: Print on A4 1:1 scale and check scale marker with ruler before marking and sewing



**Position Badge on right side of shirt.
Iron on first to align the correct positions
before sewing. Cover with a cloth & use a HOT iron**